

Catalog No. H-230TF
Jan. 2018

24° Tube Fittings - DIN 2353 & ISO 8434 -1

with Ball & Non Return Valves



HY-LOK CORPORATION

© 1998, 2000, 2002, 2007, 2010, 2011, 2013, 2017 HY-LOK CORPORATION All rights reserved

General informations

Features

- **Pressure rating** up to 500bar @ 21°C
- **Temperature rating** from -20°C to 100°C with POM and NBR standerd.
- **Conforms to** DIN standard
- **Compact design** with max orifice
- **100% factory tested.**

Application

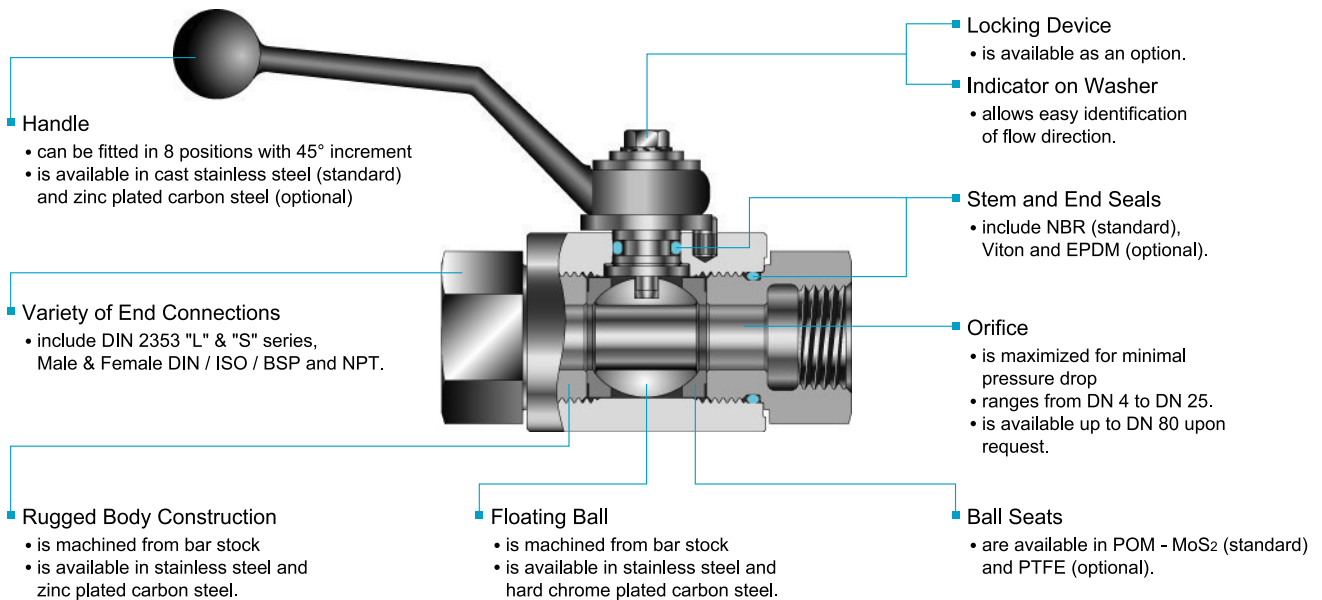
- Hydraulic fluids, compressed air, lubricants, and fuel oil systems

Sour Gas Service

- is provided to meet NACE Standard MR - 01 - 75.

Testing

- Each valve is tested with nitrogen @ 1000psig(69bar) to max leak rate of 0.1SCCM.
- Hydrostatic shell test is performed at 1.5 times the working pressure as an option.
- Optional tests are available upon request.



Technical Data

Materials of Construction

Description	Specification / Grade			
	Valve Body Materials			
	SS316		Carbon Steel	
	ASTM	DIN	ASTM	DIN
Body	A479 /	17440 /	A108 /	1651 /
End Connector				
Stem	SS316	1.4571	12L14	9SMn28K
Ball	316 Stainless Steel			
Ball Seats*	POM - MoS ₂ (Standard)			
Stem & End Seals*	NBR (Standard)			
Handle	SS316		Carbon Steel	
Locking Device	Stainless Steel			

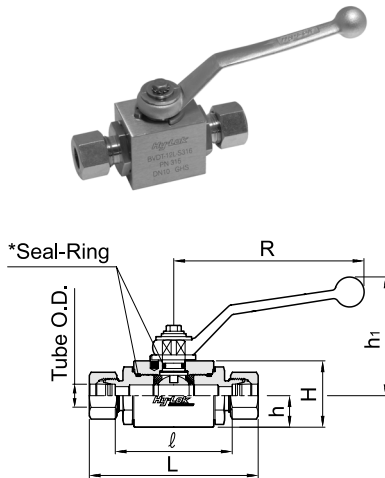
Note : "*" marked are wetted parts. Lubricant is silicone based.

Temperature Rating

Seals	
Materials	Temperature Rating
NBR(Buna N)	-23°C to 121°C
Viton	-23°C to 200°C
EPDM	-46°C to 149°C

Ball Seals	
Materials	Temperature Rating
POM - MoS ₂	-30°C to 100°C
PTFE	-54°C to 65°C

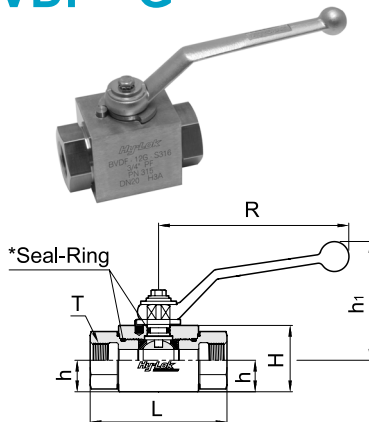
BVDT - L/S



for Light / Heavy Series Tube.

Series	Part No.	Tube OD	DN ⁽¹⁾	B ⁽³⁾	H	h	h ₁	L	l	R	Weight (kg)	PN(bar) ⁽²⁾	
												C.Steel	SS316
L	BVDT- 6L	6	4	26	33	13.5	71	82.0	53.0	115	0.4	500	315
	BVDT- 8L	8	6	26	33	13.5	71	82.0	53.0	115	0.4	500	315
	BVDT-10L	10	6	26	33	13.5	71	89.0	60.0	115	0.5	500	315
	BVDT-12L	12	10	32	38	18.0	72	89.0	60.0	115	0.6	500	315
	BVDT-15L	15	13	35	40	19.0	73	98.0	68.0	115	0.7	500	315
	BVDT-18L	18	13	35	40	19.0	73	99.0	67.0	115	0.8	400	315
	BVDT-22L	22	20	49	57	24.5	78	118.3	86.3	159	2.1	400	160
	BVDT-28L	28	25	58	65	29.5	81	138.0	105.0	159	2.3	400	160
S	BVDT-35L	35	25	58	65	29.5	81	144.0	101.0	159	2.3	400	160
	BVDT- 8S	8	4	26	33	13.5	71	88.0	59.0	115	0.4	500	500
	BVDT-10S	10	6	26	33	13.5	71	91.0	59.0	115	0.4	500	500
	BVDT-12S	12	6	32	38	18.0	72	93.0	61.0	115	0.5	500	500
	BVDT-14S	14	10	32	38	18.0	72	99.0	64.0	115	0.6	500	500
	BVDT-16S	16	13	35	40	19.0	73	105.0	69.0	115	0.7	500	400
	BVDT-20S	20	13	35	40	19.0	73	112.0	69.0	115	0.8	400	400
	BVDT-25S	25	20	49	57	24.5	78	133.3	85.3	159	2.1	400	315
	BVDT-30S	30	25	58	65	29.5	81	146.0	93.0	159	2.3	400	315
	BVDT-38S-DN25	38	25	58	65	29.5	81	153.0	92.0	159	3.1	315	315
BVDF-38S ⁽⁴⁾	38	32	86	84	39.0	126	183.0	116.0	240	5.3	315	315	

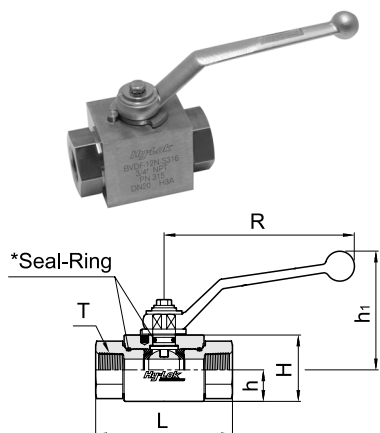
BVDF - G



for ISO/BSP Parallel

Part No.	T	DN ⁽¹⁾	B ⁽³⁾	H	h	h ₁	L	R	Weight (kg)	PN(bar) ⁽²⁾	
										C.Steel	SS316
BVDF- 2G	G 1/8	6	26	33	13.5	71	68.8	115	0.4	500	500
BVDF- 4G	G 1/4	6	26	33	13.5	71	68.8	115	0.4	500	500
BVDF- 6G	G 3/8	10	32	38	18.0	72	71.9	115	0.6	500	500
BVDF- 8G	G 1/2	13	35	40	19.0	73	82.3	115	0.7	500	500
BVDF-12G	G 3/4	20	49	57	24.5	78	95.4	159	1.6	400	315
BVDF-16G	G 1	25	58	65	29.5	81	112.7	159	2.3	400	315
BVDF-20G-DN25	G 1 1/4	25	58	65	29.5	81	120.0	159	2.3	315	315
BVDF-20G ⁽⁴⁾	G 1 1/4	32	86	84	39.0	126	111.0	240	4.2	315	315

BVDF - N



for NPT

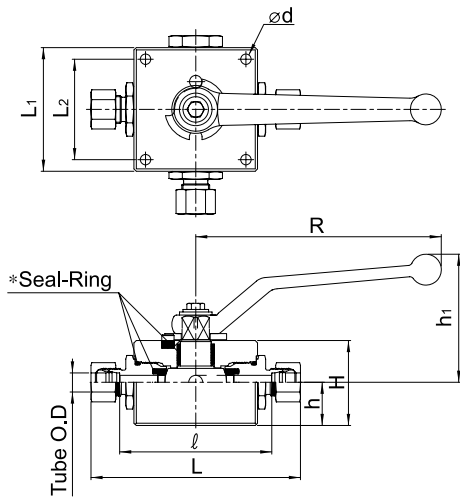
Part No.	T	DN ⁽¹⁾	B ⁽³⁾	H	h	h ₁	L	R	Weight (kg)	PN(bar) ⁽²⁾	
										C.Steel	SS316
BVDF- 4N	1/4-18 NPT	6	26	33	13.5	71	68.8	115	0.4	500	500
BVDF -6N	3/8-18 NPT	10	32	38	18.0	72	78.0	115	0.6	500	500
BVDF- 8N	1/2-14 NPT	13	35	40	19.0	73	104.0	115	0.7	500	500
BVDF-12N	3/4-14 NPT	20	49	57	24.5	78	102.0	159	1.6	400	315
BVDF-16N	1-11.5 NPT	25	58	65	29.5	81	119.0	159	2.3	400	315
BVDF-20N-DN25	1 1/4-11.5 NPT	25	58	65	29.5	81	130.0	159	2.3	315	315
BVDF-20N ⁽⁴⁾	1 1/4- 11.5 NPT	32	86	84	39.0	126	120.4	240	4.4	315	315

- Note : (1) DN is the max orifice.
 DN is available up to DN80 upon request.
 Please consult local authorized Hy-Lok representative
 (2) Safety factor of PN in bar is 1.5
 (3) "B" Dimensions are width across flat of body
 (4) Round Bar Body (not Square)

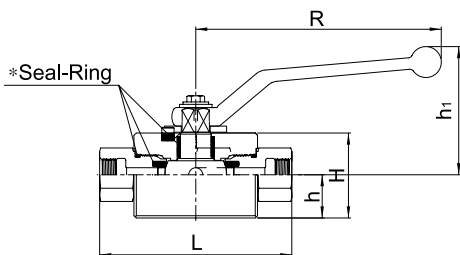
Dimensions are given for approximate length with tightened nut. All dimensions are in millimeters for reference only, subject to change.
 * The standard Seal-Ring material is FPM(e.g. Viton®) however NBR(e.g. perbunan®) is also available on request (See Page 3).

3-way Ball Valve

for Light / Heavy Series Tube.

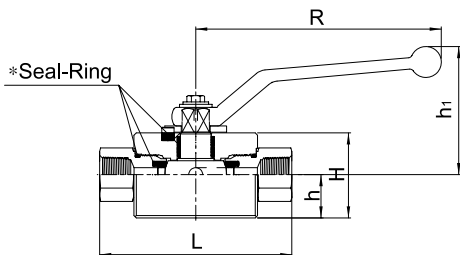


Series	Part No.	Tube OD	DN ⁽¹⁾	L ₁	L ₂	H	h	h ₁	L	ℓ	R	d	PN(bar) ⁽²⁾	
													C.Steel	SS316
L	BVDM3T- 6L	6	6	70	55	40	22	74	112.0	83.0	159	6.5	500	315
	BVDM3T- 8L	8	6	70	55	40	28	83	112.0	83.0	159	6.5	500	315
	BVDM3T-10L	10	9	80	65	55	22	74	129.0	100.0	159	6.5	500	315
	BVDM3T-12L	12	9	80	65	55	28	83	135.5	106.5	159	6.5	500	315
	BVDM3T-15L	15	13	100	80	60	31	85	150.0	120.0	159	9.0	500	315
	BVDM3T-18L	18	13	100	80	60	31	85	151.0	119.0	159	9.0	400	315
S	BVDM3T- 8S	8	6	70	55	40	22	83	118.0	89.0	159	6.5	500	500
	BVDM3T-10S	10	6	70	55	40	28	74	121.2	89.2	159	6.5	500	500
	BVDM3T-12S	12	9	80	65	55	22	83	130.0	89.0	159	6.5	500	500
	BVDM3T-14S	14	9	80	65	55	28	85	136.1	101.1	159	6.5	500	500
	BVDM3T-16S	16	13	100	80	60	31	85	157.0	121.0	159	9.0	500	400
	BVDM3T-20S	20	13	100	80	60	31	116	164.0	121.0	159	9.0	400	400
	BVDM3T-25S	25	18	100	85	73	36	116	171.3	123.3	240	9.0	400	315



for BSP Parallel

Part No.	T	DN ⁽¹⁾	L ₁	L ₂	H	h	h ₁	L	R	d	PN(bar) ⁽²⁾	
											C.Steel	SS316
BVDM3F- 2G	G 1/8	6	70	55	40	22	74	96.8	159	6.5	500	500
BVDM3F- 4G	G 1/4	6	70	55	40	22	74	101.7	159	6.5	500	500
BVDM3F- 6G	G 3/8	9	80	65	55	28	83	108.7	159	6.5	500	500
BVDM3F- 8G	G 1/2	12	100	80	60	31	85	134.3	159	9.0	500	500
BVDM3F-12G	G 3/4	18	100	85	73	36	116	133.3	240	9.0	400	315



for NPT

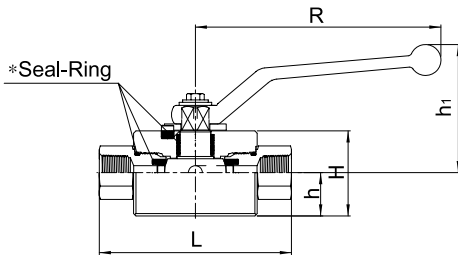
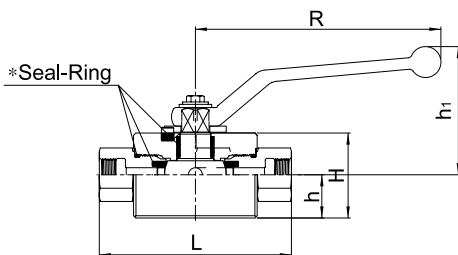
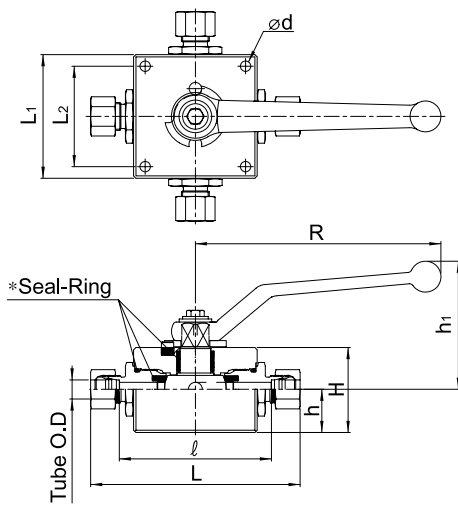
Part No.	T	DN ⁽¹⁾	L ₁	L ₂	H	h	h ₁	L	R	d	PN(bar) ⁽²⁾	
											C.Steel	SS316
BVDM3F- 4N	1/4-18 NPT	6	70	55	40	22	74	101.7	159	6.5	500	500
BVDM3F- 6N	3/8-18 NPT	9	80	65	55	28	83	114.9	159	6.5	500	500
BVDM3F- 8N	1/2-14 NPT	13	100	80	60	31	85	155.9	159	9.0	500	500
BVDM3F-12N	3/4-14 NPT	18	100	85	73	36	116	139.9	240	9.0	400	315

Flow Path

Type	L Flow	HL Flow
Designator	Nil	HL
Schematic		

Add a flow path designator into 115 Series basic ordering number.
 Examples : BVDM3HLF-4N for HL Flow path.

(1) DN is max. orifice. All dimensions are in millimeters for reference only, subject to change.
 (2) PN at a safety factor of 1.5 Tube connections are supplied complete with sleeves and nuts.



for Light / Heavy Series Tube.

Series	Part No.	Tube OD	DN ⁽¹⁾	L ₁	L ₂	H	h	h ₁	L	ℓ	R	d	PN(bar) ⁽²⁾	
													C.Steel	SS316
L	BVDM3T- 6L	6	4	70	55	40	22	74	112.0	83.0	159	6.5	500	315
	BVDM3T- 8L	8	6	70	55	40	28	83	112.0	83.0	159	6.5	500	315
	BVDM3T-10L	10	6	80	65	55	22	74	129.0	100.0	159	6.5	500	315
	BVDM3T-12L	12	10	80	65	55	28	83	135.5	106.5	159	6.5	500	315
	BVDM3T-15L	15	13	100	80	60	31	85	150.0	120.0	159	9.0	500	315
	BVDM3T-18L	18	13	100	80	60	31	85	151.0	119.0	159	9.0	400	315
	BVDM3T-22L	22	20	100	85	73	36	74	156.3	124.3	240	9.0	400	160
S	BVDM3T- 8S	8	4	70	55	40	22	83	118.0	89.0	159	6.5	500	500
	BVDM3T-10S	10	6	70	55	40	28	74	121.2	89.2	159	6.5	500	500
	BVDM3T-12S	12	6	80	65	55	22	83	130.0	89.0	159	6.5	500	500
	BVDM3T-14S	14	10	80	65	55	28	85	136.1	101.1	159	6.5	500	500
	BVDM3T-16S	16	13	100	80	60	31	85	157.0	121.0	159	9.0	500	400
	BVDM3T-20S	20	13	100	80	60	31	116	164.0	121.0	159	9.0	400	400
	BVDM3T-25S	25	20	100	85	73	3	116	171.3	123.3	240	9.0	400	315

for BSP Parallel

Part No.	T	DN ⁽¹⁾	L ₁	L ₂	H	h	h ₁	L	R	d	PN(bar) ⁽²⁾	
											C.Steel	SS316
BVDM3F- 2G	G 1/8	4	70	55	40	22	74	96.8	159	6.5	500	500
BVDM3F- 4G	G 1/4	6	70	55	40	22	74	101.7	159	6.5	500	500
BVDM3F- 6G	G 3/8	10	80	65	55	28	83	108.7	159	6.5	500	500
BVDM3F- 8G	G 1/2	13	100	80	60	31	85	134.3	159	9.0	500	500
BVDM3F-12G	G 3/4	20	100	85	73	36	116	133.3	240	9.0	400	315

for NPT

Part No.	T	DN ⁽¹⁾	L ₁	L ₂	H	h	h ₁	L	R	d	PN(bar) ⁽²⁾	
											C.Steel	SS316
BVDM3F- 4N	1/4-18 NPT	6	70	55	40	22	74	101.7	159	6.5	500	500
BVDM3F- 6N	3/8-18 NPT	10	80	65	55	28	83	114.9	159	6.5	500	500
BVDM3F- 8N	1/2-14 NPT	13	100	80	60	31	85	155.9	159	9.0	500	500
BVDM3F-12N	3/4-14 NPT	20	100	85	73	36	116	139.9	240	9.0	400	315

Flow Path

Type	L Flow	HL Flow	LL Flow
Designator	Nil	HL	LL
Schematic			

Add a flow path designator into 115 Series basic ordering number.
 Examples : BVDM4HLF-4N for HL Flow path.

(1) DN is max. orifice. All dimensions are in millimeters for reference only, subject to change.
 (2) PN at a safety factor of 1.5 Tube connections are supplied complete with sleeves and nuts.

General informations for Non-Return Valves

Application

For hydraulic fluid and compressed air.

Please contact our technical support team for doubtful conditions or the use of special fluids.

Design

Hy-Lok Corp. non return valves are leak-free by elastic materials (e.g. Viton®), and internal parts provide optimal flow conditions for the fluids.

Opening Pressure

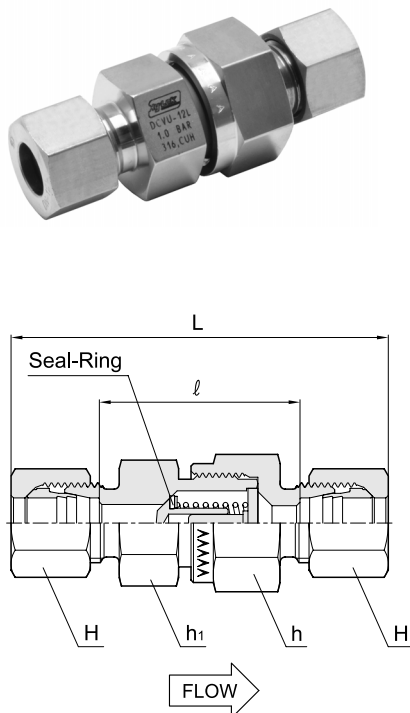
The non return valves are tested at the factory with opening pressure of approx.1 bar. Other opening pressures, ranging from 0.5 to 3 bar, are also available on request.

Materials

Stainless steel 316, carbon steel or brass is available for standard material on request.

The standard Seal-Rings is FPM (e.g. Viton®) however other materials are also available on request.

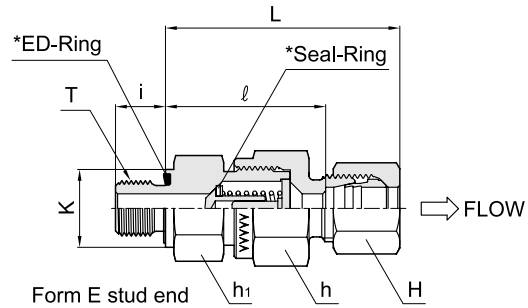
Non Return Valve DCVU



Series	Part No.	Tube OD	H	h	h ₁	L	l	PN(bar)	
								C.Steel	SS316
L	DCVU - 06L	6	14	17	17	58,0	29,0	400	250
	DCVU - 08L	8	17	19	19	59,0	30,0	400	250
	DCVU - 10L	10	19	24	22	69,5	40,5	400	250
	DCVU - 12L	12	22	30	27	72,5	43,5	400	250
	DCVU - 15L	15	27	32	27	77,5	47,5	400	250
	DCVU - 18L	18	32	36	36	83,5	51,5	400	160
	DCVU - 22L	22	36	46	41	93,5	61,5	250	160
	DCVU - 28L	28	41	55	50	102,5	69,5	250	100
	DCVU - 35L	35	50	60	60	117,5	74,5	250	100
DCVU - 42L	42	60	70	65	119,0	74,0	250	100	
S	DCVU - 06S	6	17	19	19	63,5	34,5	420	400
	DCVU - 08S	8	19	19	19	63,5	34,5	420	400
	DCVU - 10S	10	22	24	22	72,5	40,5	420	400
	DCVU - 12S	12	24	27	24	74,5	42,5	420	400
	DCVU - 14S	14	27	32	27	82,5	47,5	420	315
	DCVU - 16S	16	30	36	32	86,5	50,5	420	315
	DCVU - 20S	20	36	46	41	97,5	54,5	420	250
	DCVU - 25S	25	46	50	46	106,5	58,5	420	250
	DCVU - 30S	30	50	60	60	122,5	69,5	250	250
	DCVU - 38S	38	60	70	65	136,5	75,5	250	250

Dimensions are given for approximate length with tightened nut. All dimensions are in millimeters for reference only, subject to change.
 * The standard Seal-Ring material is FPM (e.g. Viton®) however NBR (e.g. perbunan®) is also available on request (See Page 3).

Non Return Valve
DCV GED-L/S
MED-L/S



for ISO/BSP Parallel

Series	Part No.	Tube OD	H	h	h ₁	K	L	ℓ	i	T	PN(bar)	
											C.Steel	SS316
L	DCV01GED-06L	6	14	17	17	14	42.5	28.0	8	G 1/8	400	250
	DCV02GED-08L	8	17	19	19	19	44.5	30.0	12	G 1/4	400	250
	DCV02GED-10L	10	19	24	22	19	53.0	38.5	12	G 1/4	400	250
	DCV03GED-12L	12	22	30	27	22	57.0	42.5	12	G 3/8	400	250
	DCV04GED-15L	15	27	32	27	27	60.5	45.5	14	G 1/2	400	250
	DCV04GED-18L	18	32	36	36	27	66.0	50.0	14	G 1/2	400	160
	DCV06GED-22L	22	36	46	41	32	71.0	53.0	16	G 3/4	250	160
	DCV08GED-28L	28	41	55	50	40	79.5	63.0	18	G 1	250	100
	DCV10GED-35L	35	50	60	60	50	90.5	69.0	20	G 1 1/4	250	100
DCV12GED-42L	42	60	70	65	55	91.0	68.5	22	G 1 1/2	250	100	
S	DCV02GED-06S	6	17	19	19	19	46.0	31.5	12	G 1/4	420	400
	DCV02GED-08S	8	19	19	19	19	46.0	31.5	12	G 1/4	420	400
	DCV03GED-10S	10	22	24	22	22	54.0	38.0	12	G 3/8	420	400
	DCV03GED-12S	12	24	27	24	22	57.0	41.0	12	G 3/8	420	400
	DCV04GED-14S	14	27	32	27	27	62.0	44.5	14	G 1/2	420	315
	DCV04GED-16S	16	30	36	32	27	66.0	48.0	14	G 1/2	420	315
	DCV06GED-20S	20	36	46	41	32	73.5	52.0	16	G 3/4	420	250
	DCV08GED-25S	25	46	50	46	40	78.5	54.5	18	G 1	420	250
	DCV10GED-30S	30	50	60	60	50	90.5	64.0	20	G 1 1/4	250	250
DCV12GED-38S	38	60	70	65	55	100.0	69.5	22	G 1 1/2	250	250	

for Metric Parallel

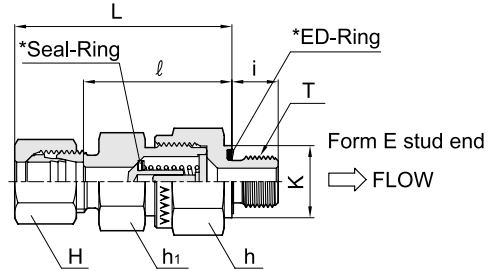
Series	Part No.	Tube OD	H	h	h ₁	K	L	ℓ	i	T	PN(bar)	
											C.Steel	SS316
L	DCVM10ED-06L	6	14	17	17	14	42.5	28.0	8	M10 x 1.0	400	250
	DCVM12ED-08L	8	17	19	19	17	43.5	30.0	12	M12 x 1.5	400	250
	DCVM14ED-10L	10	19	24	22	19	53.0	38.5	12	M14 x 1.5	400	250
	DCVM16ED-12L	12	22	30	27	22	57.0	42.5	12	M16 x 1.5	400	250
	DCVM18ED-15L	15	27	32	27	24	60.5	45.5	12	M18 x 1.5	400	250
	DCVM22ED-18L	18	32	36	36	27	66.0	50.0	14	M22 x 1.5	400	160
	DCVM26ED-22L	22	36	46	41	32	71.0	55.0	16	M26 x 1.5	250	160
	DCVM33ED-28L	28	41	55	50	40	79.5	63.0	18	M33 x 2.0	250	100
	DCVM42ED-35L	35	50	60	60	50	90.5	69.0	20	M42 x 2.0	250	100
DCVM48ED-42L	42	60	70	65	55	91.0	67.5	22	M48 x 2.0	250	100	
S	DCVM12ED-06S	6	17	19	19	17	46.0	31.5	12	M12 x 1.5	420	400
	DCVM14ED-08S	8	19	19	19	19	46.0	31.5	12	M14 x 1.5	420	400
	DCVM16ED-10S	10	22	24	22	22	54.0	38.0	12	M16 x 1.5	420	400
	DCVM18ED-12S	12	24	27	24	24	57.0	41.0	12	M18 x 1.5	420	400
	DCVM20ED-14S	14	27	32	27	26	62.0	44.5	14	M20 x 1.5	420	315
	DCVM22ED-16S	16	30	36	32	27	66.0	48.0	14	M22 x 1.5	420	315
	DCVM27ED-20S	20	36	46	41	32	73.5	52.0	16	M27 x 2.0	420	250
	DCVM33ED-25S	25	46	50	46	40	78.5	54.5	18	M33 x 2.0	420	250
	DCVM42ED-30S	30	50	60	60	50	90.5	64.0	20	M42 x 2.0	250	250
DCVM48ED-38S	38	60	70	65	55	100.0	69.5	22	M48 x 2.0	250	250	

Dimensions are given for approximate length with tightened nut. All dimensions are in millimeters for reference only, subject to change.

* The standard Seal-Ring material is FPM(e.g. Viton®) however NBR(e.g. perbunan®) is also available on request (See Page 3).

* The standard ED-Ring material is NBR(e.g. perbunan®) however FPM(e.g. Viton®) is also available on Request (See Page3).

Non Return Valve
DCV L/S-GED
L/S-MED



for ISO/BSP Parallel

Series	Part No.	Tube OD	H	h	h ₁	K	L	ℓ	i	T	PN(bar)	
											C.Steel	SS316
L	DCV06L-01GED	6	14	17	17	14	41.0	26.5	8	G 1/8	400	250
	DCV08L-02GED	8	17	19	19	19	43.0	28.5	12	G 1/4	400	250
	DCV10L-02GED	10	19	24	22	19	53.0	38.5	12	G 1/4	400	250
	DCV12L-03GED	12	22	30	27	22	55.0	40.5	12	G 3/8	400	250
	DCV15L-04GED	15	27	32	27	27	57.5	42.5	14	G 1/2	400	250
	DCV18L-04GED	18	32	36	36	27	64.0	48.0	14	G 1/2	400	160
	DCV22L-06GED	22	36	46	41	32	72.0	56.0	16	G 3/4	250	160
	DCV28L-08GED	28	41	55	50	40	80.5	64.0	18	G 1	250	100
	DCV35L-10GED	35	50	60	60	50	91.5	70.0	20	G 1 1/4	250	100
DCV42L-12GED	42	60	70	65	55	93.0	70.5	22	G 1 1/2	250	100	
S	DCV06S-02GED	6	17	19	19	19	46.0	31.5	12	G 1/4	420	400
	DCV08S-02GED	8	19	19	19	19	46.0	31.5	12	G 1/4	420	400
	DCV10S-03GED	10	22	24	22	22	54.0	38.0	12	G 3/8	420	400
	DCV12S-03GED	12	24	27	24	22	57.0	41.0	12	G 3/8	420	400
	DCV14S-04GED	14	27	32	27	27	61.0	43.5	14	G 1/2	420	315
	DCV16S-04GED	16	30	36	32	27	64.0	46.0	14	G 1/2	420	315
	DCV20S-06GED	20	36	46	41	32	71.5	50.0	16	G 3/4	420	250
	DCV25S-08GED	25	46	50	46	40	78.5	54.5	18	G 1	420	250
	DCV30S-10GED	30	50	60	60	50	90.5	64.0	20	G 1 1/4	250	250
DCV38S-12GED	38	60	70	65	55	102.0	71.5	22	G 1 1/2	250	250	

for Metric Parallel

Series	Part No.	Tube OD	H	h	h ₁	K	L	ℓ	i	T	PN(bar)	
											C.Steel	SS316
L	DCV06L-M10ED	6	14	17	17	14	41.0	26.5	8	M10 x 1.0	400	250
	DCV08L-M12ED	8	17	19	19	17	43.0	28.5	12	M12 x 1.5	400	250
	DCV10L-M14ED	10	19	24	22	19	53.0	38.5	12	M14 x 1.5	400	250
	DCV12L-M16ED	12	22	30	27	22	55.0	40.5	12	M16 x 1.5	400	250
	DCV15L-M18ED	15	27	32	27	24	57.5	42.5	12	M18 x 1.5	400	250
	DCV18L-M22ED	18	32	36	36	27	64.0	48.0	14	M22 x 1.5	400	160
	DCV22L-M26ED	22	36	46	41	32	72.0	56.0	16	M26 x 1.5	250	160
	DCV28L-M33ED	28	41	55	50	40	80.5	64.0	18	M33 x 2.0	250	100
	DCV35L-M42ED	35	50	60	60	50	91.5	70.0	20	M42 x 2.0	250	100
DCV42L-M48ED	42	60	70	65	55	93.0	70.5	22	M48 x 2.0	250	100	
S	DCV06S-M12ED	6	17	19	19	17	46.0	31.5	12	M12 x 1.5	420	400
	DCV08S-M14ED	8	19	19	19	19	46.0	31.5	12	M14 x 1.5	420	400
	DCV10S-M16ED	10	22	24	22	22	54.0	38.0	12	M16 x 1.5	420	400
	DCV12S-M18ED	12	24	27	24	24	57.0	41.0	12	M18 x 1.5	420	400
	DCV14S-M20ED	14	27	32	27	26	61.0	43.5	14	M20 x 1.5	420	315
	DCV16S-M22ED	16	30	36	32	27	64.0	46.0	14	M22 x 1.5	420	315
	DCV20S-M27ED	20	36	46	41	32	71.5	50.0	16	M27 x 2.0	420	250
	DCV25S-M33ED	25	46	50	46	40	78.5	54.5	18	M33 x 2.0	420	250
	DCV30S-M42ED	30	50	60	60	50	90.5	64.0	20	M42 x 2.0	250	250
DCV38S-M48ED	38	60	70	65	55	102.0	71.5	22	M48 x 2.0	250	250	

Dimensions are given for approximate length with tightened nut. All dimensions are in millimeters for reference only, subject to change.

* The standard Seal-Ring material is FPM(e.g. Viton®) however NBR(e.g. perbunan®) is also available on request (See Page 3).

* The standard ED-Ring material is NBR(e.g. perbunan®) however FPM(e.g. Viton®) is also available on Request (See Page3).



SAFETY in FITTING SELECTION

Proper installation, materials compatibility, operation and maintenance of this 24° tube fittings are the responsibility of the user. The total system design must be taken into consideration to ensure optimal performance and safety

Hy-Lok Corporation
97, Noksansandan 27-ro, Gangseo-gu,
Busan, South Korea
Phone 82 51 9700 800
Fax 82 51 831 7920
Visit www.hy-lok.com or
contact your authorized Hy-Lok representative.