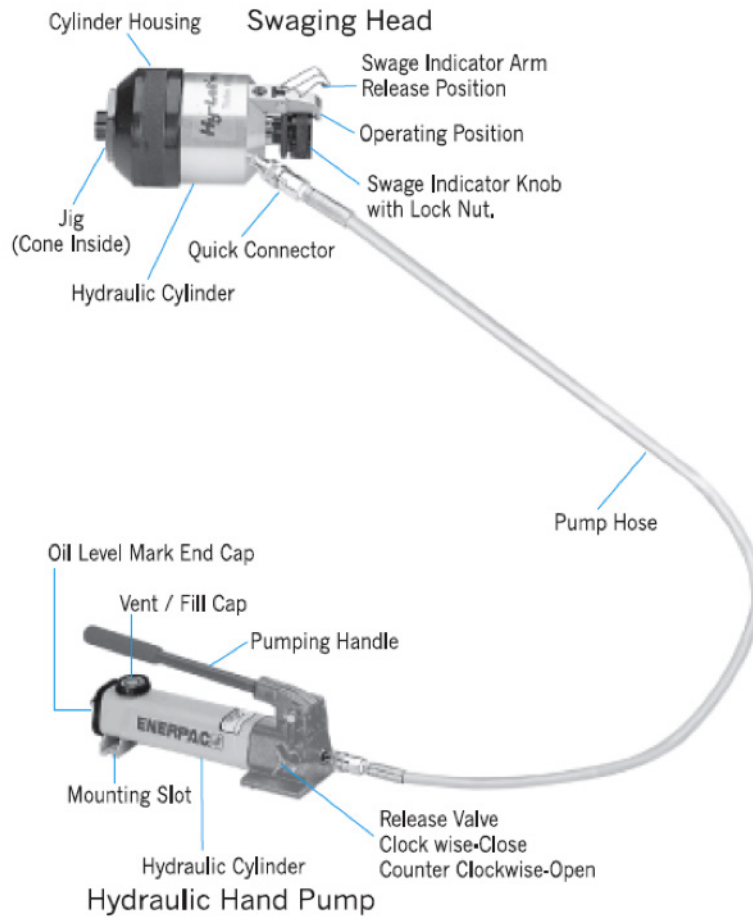




**Hy-Lok**

**Instruction for  
Hy-Lok EZY-MAT**

# Instructions for Hy-Lok EZY-MAT



1. Turn the indicator knob counterclockwise.



2. Close the Release Valve. (CLOCKWISE ROTATION)



3. When the indicator pin is inserted at the moment the pumping handle is operated and the indicator knob is moved forward, the release valve should be opened in a counter-clockwise direction pressing the indicator arm.



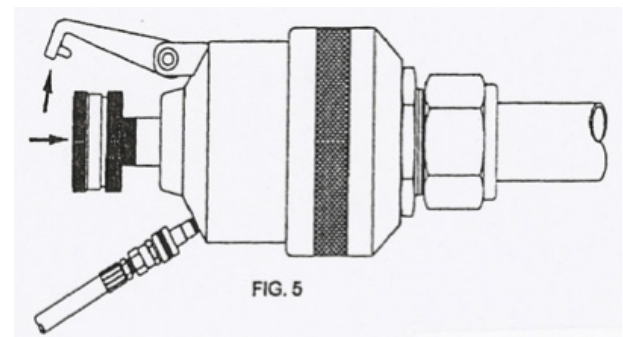
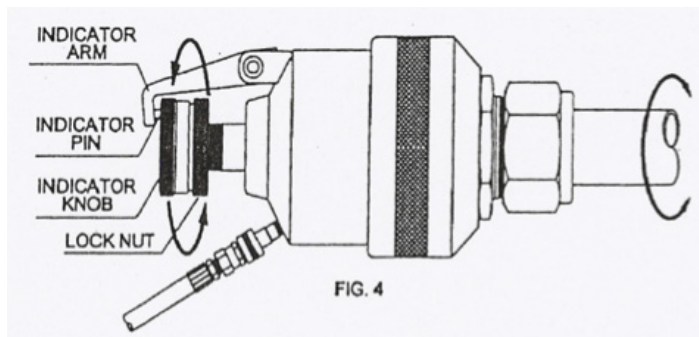
4. For resetting, after pumping handle need is operated and the indicator knob is moved forward, the knob need to be turned in a counter-clockwise direction, and then the indicator pin is set to the initial state.



5. After setting, repeat step 3 procedure for same method.

### Step 3. Swaging Procedure

- 3-1 Make sure the valve on the hydraulic pump is closed. Pump the handle until the indicator arm releases. (Fig. 5)
- 3-2 Open the valve on the pump to relieve the hydraulic pressure. Completely loosen the nut from the swaging unit and remove the tube with pre-swaged ferrules.
- 3-3 Inspect the swaging action. The front ferrule may be "loose"; meaning it may spin in a rotary motion on the tube and move slightly in an axial motion on the tube due to spring-back. The rear ferrule will be solidly swaged to the tube O.D.
- 3-4 To swage another connection, repeat Steps 2 and 3.





**Hy-Lok USA, Inc.**

14211 Westfair West Dr.  
Houston, TX 77041, USA

**Toll-Free** // 888.300.5708

**Phone** // 832.634.2000

**Fax** // 832.634.2099

**Website** // [www.hylokusa.com](http://www.hylokusa.com)

**Email** // [info@hylokusa.com](mailto:info@hylokusa.com)